

# TLE4209G

Automotive Power



Never stop thinking

## Table of Contents

<b>1</b>	<b>Overview</b> .....	<b>3</b>
<b>2</b>	<b>Block Diagram</b> .....	<b>4</b>
<b>3</b>	<b>Pin Configuration</b> .....	<b>5</b>
3.1	Pin Assignment .....	5
3.2	Pin Definitions and Functions .....	5
<b>4</b>	<b>General Product Characteristics</b> .....	<b>6</b>
4.1	Absolute Maximum Ratings .....	6
4.2	Operating Range .....	6
4.3	Thermal Resistance .....	7
4.4	Electrical Characteristics .....	7
<b>5</b>	<b>Application Information</b> .....	<b>10</b>
<b>6</b>	<b>Package Outlines</b> .....	<b>13</b>
<b>7</b>	<b>Revision History</b> .....	<b>14</b>



## 1 Overview

### Features

- Optimized for manual headlight beam control applications
- Delivers up to 0.7 A continuous
- Low saturation voltage; typ. 1.6 V total @ 25 °C; 0.7 A
- Output protected against short circuit
- Over temperature protection with hysteresis
- Over- and under voltage lockout
- Internal clamp diodes
- Enhanced SMD power package
- Green Product (RoHS compliant)
- AEC Qualified



PG-DSO-14-22

### Description

The TLE4209G is a protected H-Bridge Driver designed specifically for automotive manual headlight beam control and industrial servo control applications with DC-brush motor loads.

The part is built using the bipolar high voltage power technology DOPL.

The standard enhanced power PG-DSO-14-22 package meets the application requirements and saves PCB-board space and costs. The package is lead- and halogen-free.

The servo-loop-parameter pos.- and neg. Hysteresis, pos.- and neg. deadband and angle-amplification are programmable with external resistors.

An internal window-comparator controls the input line. In the case of a fault condition, like short circuit to GND, short circuit to supply-voltage, and broken wire, the TLE4209G stops the motor immediately (brake condition).

Furthermore the built in features like over- and under voltage-lockout, short-circuit-protection and over-temperature-protection will open a wide range of automotive- and industrial applications.

Type	Package	Marking
TLE4209G	PG-DSO-14-22	TLE4209G

## 2 Block Diagram

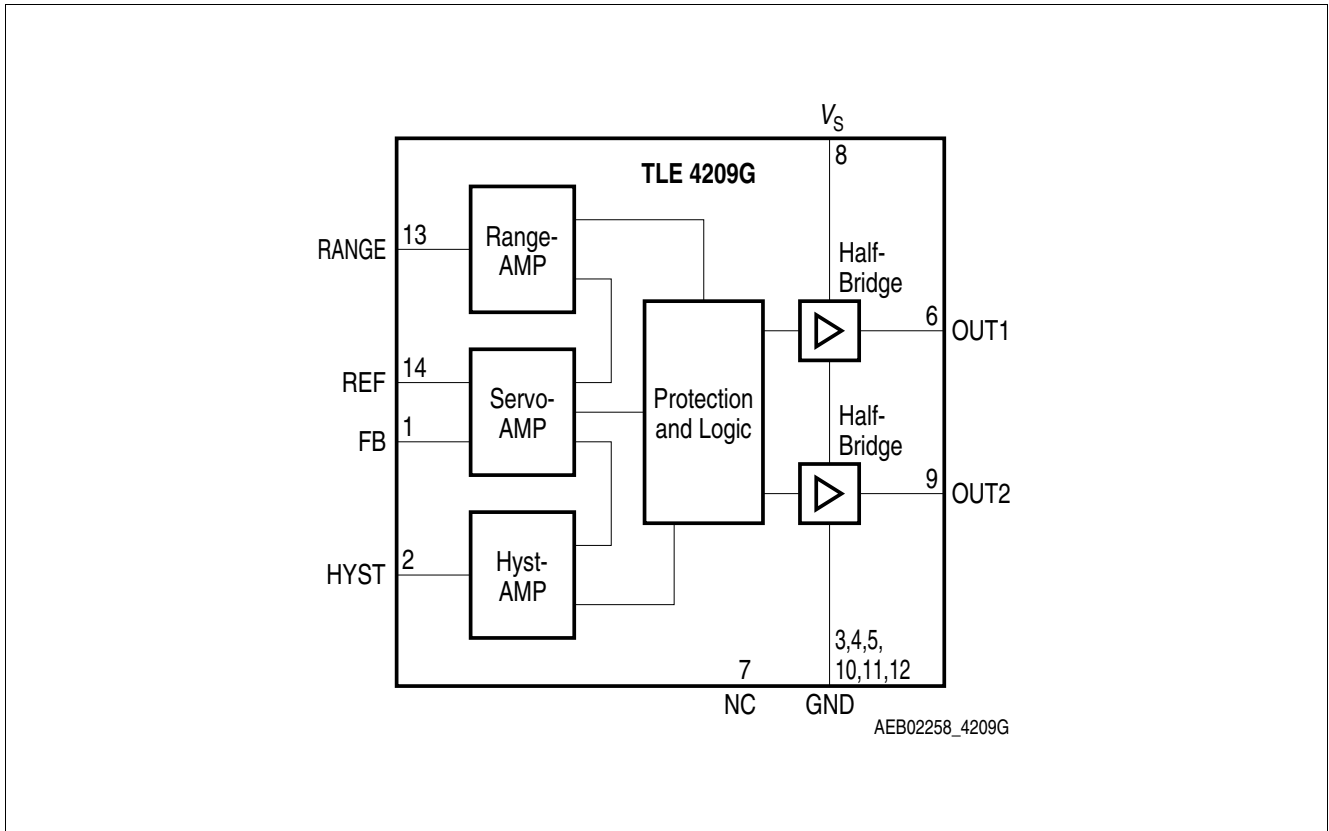


Figure 1 Block Diagram

### 3 Pin Configuration

#### 3.1 Pin Assignment

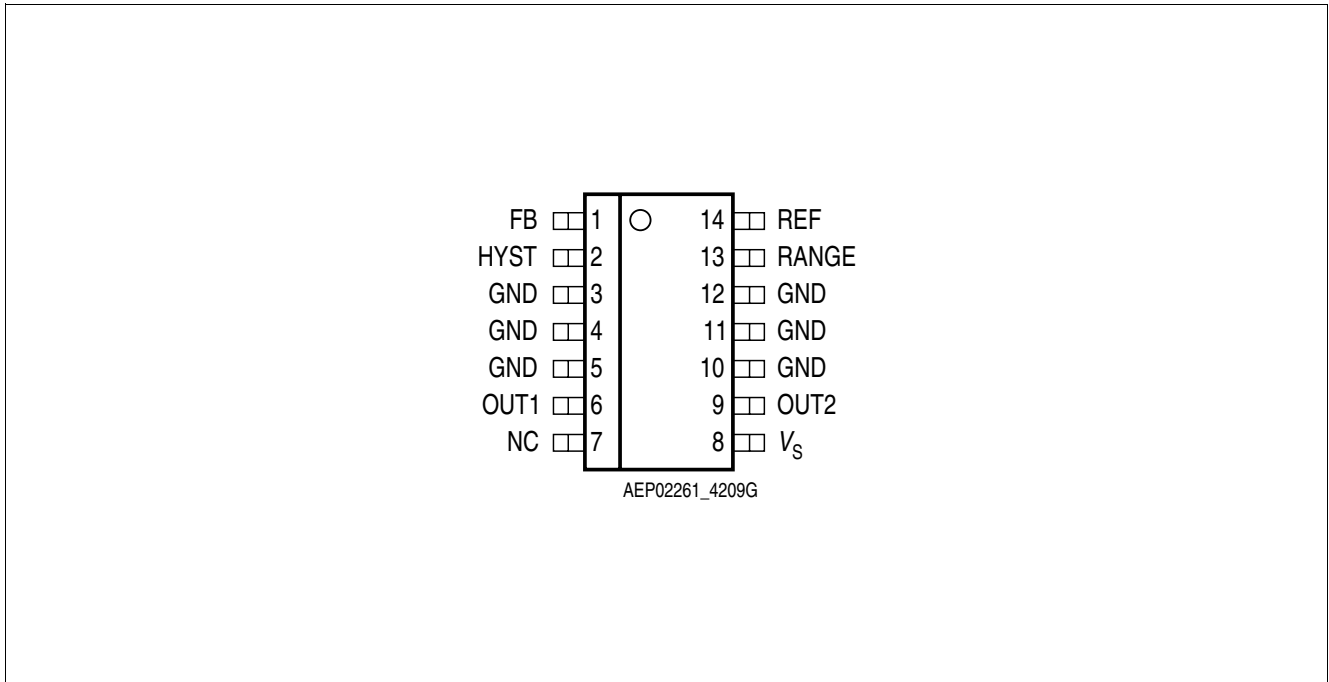


Figure 2 Pin Configuration

#### 3.2 Pin Definitions and Functions

Pin	Symbol	Function
1	FB	Feedback Input
2	HYST	Hysteresis I/O
3, 4, 5, 10, 11, 12	GND	Ground
6	OUT1	Power Output 1
7	NC	Not Connected
8	$V_s$	Power Supply Voltage
9	OUT2	Power Output 2
13	RANGE	Range Input
14	REF	Reference Input

## 4 General Product Characteristics

### 4.1 Absolute Maximum Ratings

#### Absolute Maximum Ratings <sup>1)</sup>

$T_j = -40\text{ °C}$  to  $+150\text{ °C}$ ; all voltages with respect to ground, positive current flowing into pin (unless otherwise specified)

Pos.	Parameter	Symbol	Limit Values		Unit	Conditions
			Min.	Max.		
<b>Voltages</b>						
4.1.1	Supply voltage	$V_S$	-0.3	45	V	–
4.1.2	Supply voltage	$V_S$	-1	–	V	$t < 0.5\text{ s}$ ; $I_S > -2\text{ A}$
4.1.3	Logic input voltages (FB, REF, RANGE, HYST)	$V_I$	-0.3	20	V	–
<b>Currents</b>						
4.1.4	Output current (OUT1, OUT2)	$I_{OUT}$	–	–	A	internally limited
4.1.5	Output current (Diode)	$I_{OUT}$	-0.9	0.9	A	–
4.1.6	Input current (FB, REF, RANGE, HYST)	$I_{IN}$	-2 -6	2 6	mA mA	$t < 2\text{ ms}$ ; $t/T < 0.1$
<b>Temperatures</b>						
4.1.7	Junction temperature	$T_j$	-40	150	°C	–
4.1.8	Storage temperature	$T_{stg}$	-50	150	°C	–

1) Not subject to production test, specified by design.

*Note: Stresses above the ones listed here may cause permanent damage to the device. Exposure to absolute maximum rating conditions for extended periods may affect device reliability.*

*Note: Integrated protection functions are designed to prevent IC destruction under fault conditions described in the data sheet. Fault conditions are considered as “outside” normal operating range. Protection functions are not designed for continuous repetitive operation.*

### 4.2 Operating Range

Pos.	Parameter	Symbol	Limit Values		Unit	Conditions
			Min.	Max.		
4.2.1	Supply voltage	$V_S$	8	18	V	After $V_S$ rising above $V_{UV\ ON}$
4.2.2	Supply voltage increasing	$V_S$	-0.3	$V_{UV\ ON}$	V	Outputs in tristate
4.2.3	Supply voltage decreasing	$V_S$	-0.3	$V_{UV\ OFF}$	V	Outputs in tristate
4.2.4	Output current	$I_{OUT1-2}$	-0.7	0.7	A	–
4.2.5	Input current (FB, REF)	$I_{IN}$	-50	500	μA	–
4.2.6	Junction temperature	$T_j$	-40	150	°C	–

*Note: Within the functional range the IC operates as described in the circuit description. The electrical characteristics are specified within the conditions given in the related electrical characteristics table.*

### 4.3 Thermal Resistance

Note: This thermal data was generated in accordance with JEDEC JESD51 standards. For more information, go to [www.jedec.org](http://www.jedec.org).

Pos.	Parameter	Symbol	Limit Values			Unit	Conditions
			Min.	Typ.	Max.		
4.3.1	Junction to Soldeering Point <sup>1)</sup>	$R_{thJSP}$	–	–	25	K/W	measured to pin 5
4.3.2	Junction to Ambient <sup>1)</sup> minimal-footprint	$R_{thJA}$	–	130	–	K/W	<sup>2)</sup>
4.3.3	Junction to Ambient <sup>1)</sup> additional 600 mm <sup>2</sup> CU area	$R_{thJA}$	–	65	–	K/W	<sup>3)</sup>

1) Not subject to production test, specified by design.

2) JESD 51-2, 51-3, FR4 76.2 mm × 114.3 mm × 1.5 mm, 70 μm Cu, minimal footprint

3) JESD 51-2, 51-3, FR4 76.2 mm × 114.3 mm × 1.5 mm, 70 μm Cu, 600 mm<sup>2</sup> CU cooling area connected to Pins: 3, 4, 5, 10, 11, 12

### 4.4 Electrical Characteristics

#### Electrical Characteristics

$V_S = 8\text{ V to }18\text{ V}$ ,  $T_j = -40\text{ °C to }+150\text{ °C}$ ,  $I_{OUT1-2} = 0\text{ A}$ , all voltages with respect to ground, positive current flowing into pin (unless otherwise specified)

Pos.	Parameter	Symbol	Limit Values			Unit	Conditions
			Min.	Typ.	Max.		

#### Current Consumption

4.4.1	Supply current	$I_S$	–	12	20	mA	–
4.4.2	Supply current	$I_S$	–	20	30	mA	$I_{OUT1} = 0.3\text{ A}$ $I_{OUT2} = -0.3\text{ A}$
4.4.3	Supply current	$I_S$	–	30	50	mA	$I_{OUT1} = 0.7\text{ A}$ $I_{OUT2} = -0.7\text{ A}$

#### Over- and Under Voltage Lockout

4.4.4	UV Switch ON voltage	$V_{UV\ ON}$	–	7.4	8	V	$V_S$ increasing
4.4.5	UV Switch OFF voltage	$V_{UV\ OFF}$	6.3	6.9	–	V	$V_S$ decreasing
4.4.6	UV ON/OFF Hysteresis	$V_{UVHY}$	–	0.5	–	V	$V_{UV\ ON} - V_{UV\ OFF}$
4.4.7	OV Switch OFF voltage	$V_{OV\ OFF}$	–	20.5	23	V	$V_S$ increasing
4.4.8	OV Switch ON voltage	$V_{OV\ ON}$	17.5	20	–	V	$V_S$ decreasing
4.4.9	OV ON/OFF Hysteresis	$V_{OVHY}$	–	0.5	–	V	$V_{OV\ OFF} - V_{OV\ ON}$

#### Outputs OUT1-2, Saturation Voltages

4.4.10	Source (upper) $I_{OUT} = -0.3\text{ A}$	$V_{SAT\ U}$	–	0.90	1.20	V	$T_j = 25\text{ °C}$
4.4.11	Sink (upper) $I_{OUT} = -0.7\text{ A}$	$V_{SAT\ U}$	–	1.10	1.50	V	$T_j = 25\text{ °C}$
4.4.12	Sink (lower) $I_{OUT} = 0.3\text{ A}$	$V_{SAT\ L}$	–	0.25	0.40	V	$T_j = 25\text{ °C}$
4.4.13	Sink (lower) $I_{OUT} = 0.7\text{ A}$	$V_{SAT\ L}$	–	0.45	0.75	V	$T_j = 25\text{ °C}$

**General Product Characteristics**
**Electrical Characteristics (cont'd)**

$V_S = 8\text{ V to }18\text{ V}$ ,  $T_j = -40\text{ °C to }+150\text{ °C}$ ,  $I_{OUT1-2} = 0\text{ A}$ , all voltages with respect to ground, positive current flowing into pin (unless otherwise specified)

Pos.	Parameter	Symbol	Limit Values			Unit	Conditions
			Min.	Typ.	Max.		
4.4.14	Total drop $I_{OUT} = 0.3\text{ A}$	$V_{SAT}$	–	1.2	1.7	V	$V_{SAT} = V_{SAT U} + V_{SAT L}$
4.4.15	Total drop $I_{OUT} = 0.7\text{ A}$	$V_{SAT}$	–	1.6	2.5	V	$V_{SAT} = V_{SAT U} + V_{SAT L}$

**Outputs OUT1-2, Clamp Diodes**

4.4.16	Forward voltage; upper	$V_{FU}$	–	1	1.5	V	$I_F = 0.3\text{ A}$
4.4.17	Upper leakage current	$I_{LKU}$	–	–	5	mA	$I_F = 0.3\text{ A}$
4.4.18	Forward voltage; lower	$V_{FL}$	–	0.9	1.4	V	$I_F = 0.3\text{ A}$

**Input-Interface, Input REF**

4.4.19	Quiescent voltage	$V_{REFq}$	–	200	–	mV	$I_{REF} = 0\text{ }\mu\text{A}$
4.4.20	Input resistance	$R_{REF}$	–	6	–	k $\Omega$	$0\text{ V} < V_{REF} < 0.5\text{ V}$

**Input-Interface, Input FB**

4.4.21	Quiescent voltage	$V_{FBq}$	–	200	–	mV	$I_{FB} = 0\text{ }\mu\text{A}$
4.4.22	Input resistance	$R_{FB}$	–	6	–	k $\Omega$	$0\text{ V} < V_{FB} < 0.5\text{ V}$

**Input-Interface, Input/Output HYST**

4.4.23	Current Amplification $A_{HYST} = I_{HYST} / (I_{REF} - I_{FB})$	$A_{HYST}$	0.8	0.95	1.1	–	$-20\text{ }\mu\text{A} < I_{HYST} < -10\text{ }\mu\text{A}$ ; $10\text{ }\mu\text{A} < I_{HYST} < 20\text{ }\mu\text{A}$ ; $I_{REF} = 250\text{ }\mu\text{A}$ ; $V_{HYST} = V_S / 2$
4.4.24	Current Offset	$I_{HYSTIO}$	-2	0.35	3	$\mu\text{A}$	$I_{REF} = I_{FB} = 250\text{ }\mu\text{A}$ ; $V_{HYST} = V_S / 2$
4.4.25	Threshold voltage High	$V_{HYH} / V_S$	–	52	–	%	–
4.4.26	Deadband voltage High	$V_{DBH} / V_S$	–	50.4	–	%	–
4.4.27	Deadband voltage Low	$V_{DBL} / V_S$	–	49.6	–	%	–
4.4.28	Threshold voltage Low	$V_{HYL} / V_S$	–	48	–	%	–
4.4.29	Hysteresis Window	$V_{HYW} / V_S$	3	4	5	%	$(V_{HYH} - V_{HYL}) / V_S$
4.4.30	Deadband Window	$V_{DBW} / V_S$	0.4	0.8	1.2	%	$(V_{DBH} - V_{DBL}) / V_S$

**Input-Interface, Input RANGE**

4.4.31	Input current	$I_{RANGE}$	-1	–	1	$\mu\text{A}$	$0\text{ V} < V_{RANGE} < V_S$
4.4.32	Switch-OFF voltage High	$V_{OFFH}$	-25	0	100	mV	refer to $V_S$
4.4.33	Switch-OFF voltage Low	$V_{OFFL}$	300	400	500	mV	refer to GND



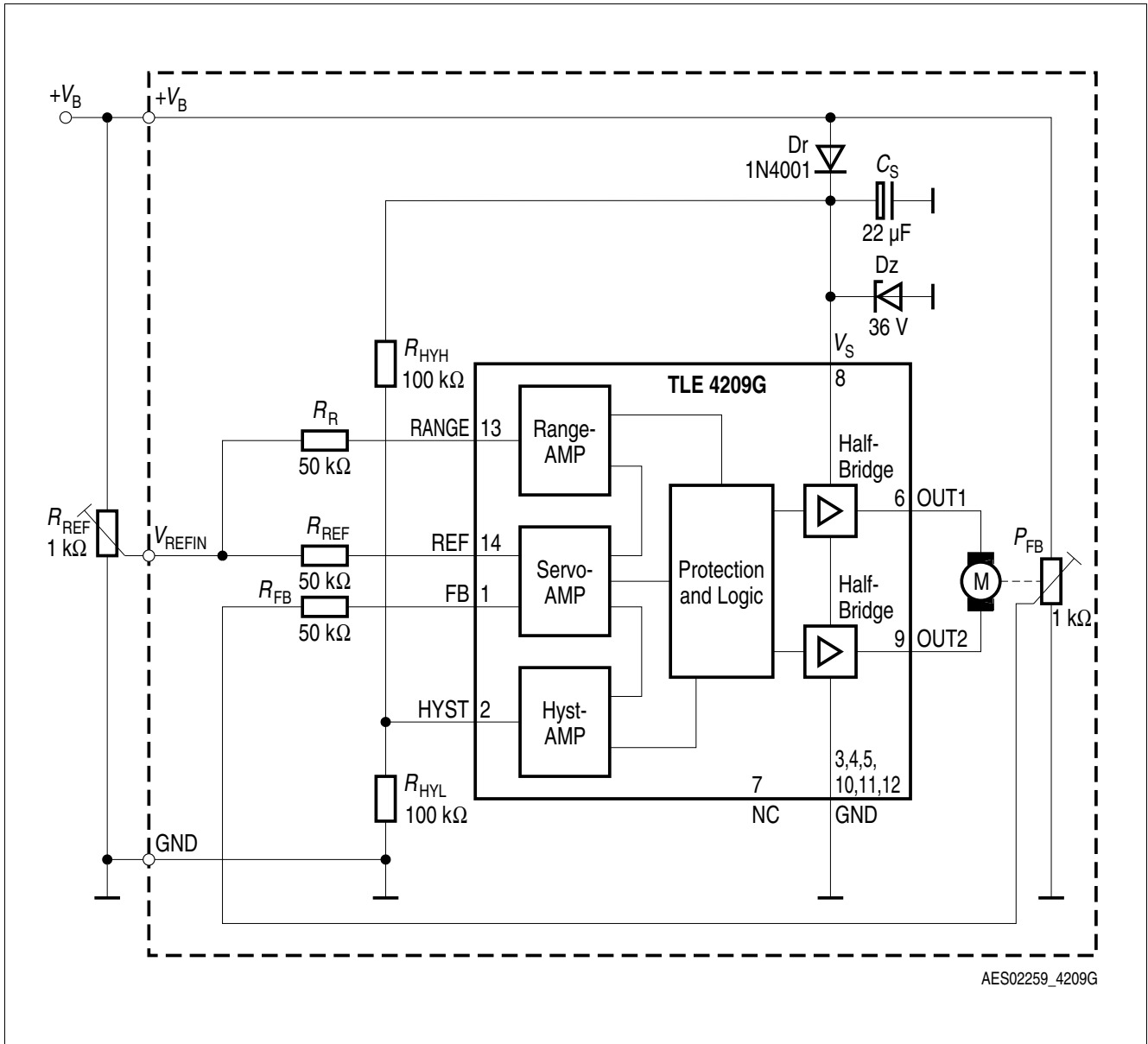
**Electrical Characteristics (cont'd)**

$V_S = 8\text{ V to }18\text{ V}$ ,  $T_j = -40\text{ °C to }+150\text{ °C}$ ,  $I_{OUT1-2} = 0\text{ A}$ , all voltages with respect to ground, positive current flowing into pin (unless otherwise specified)

Pos.	Parameter	Symbol	Limit Values			Unit	Conditions
			Min.	Typ.	Max.		
<b>Thermal Shutdown</b>							
4.4.34	Thermal shutdown junction temperature <sup>1)</sup>	$T_{jSD}$	150	175	200	°C	–
4.4.35	Thermal switch-on junction temperature <sup>1)</sup>	$T_{jSO}$	120	–	170	°C	–
4.4.36	Temperature hysteresis	$\Delta T$	–	30	–	K	–

1) Not subject to production test, specified by design.

## 5 Application Information



**Figure 3 Application Diagram**

*Note: In the application the PIN 7 can remain not connected.*

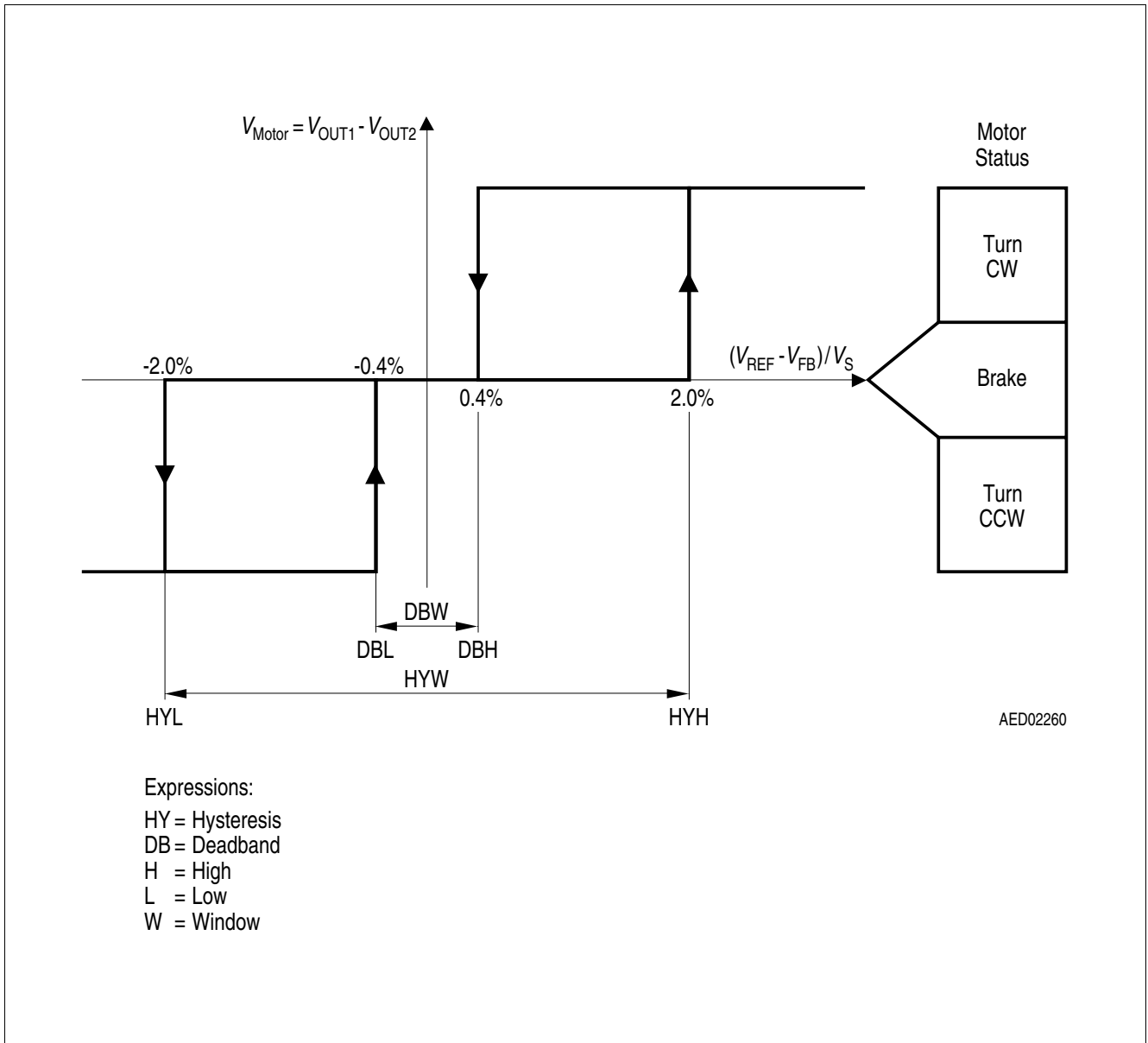


Figure 4 Hysteresis, Phaselag and Deadband-Definitions

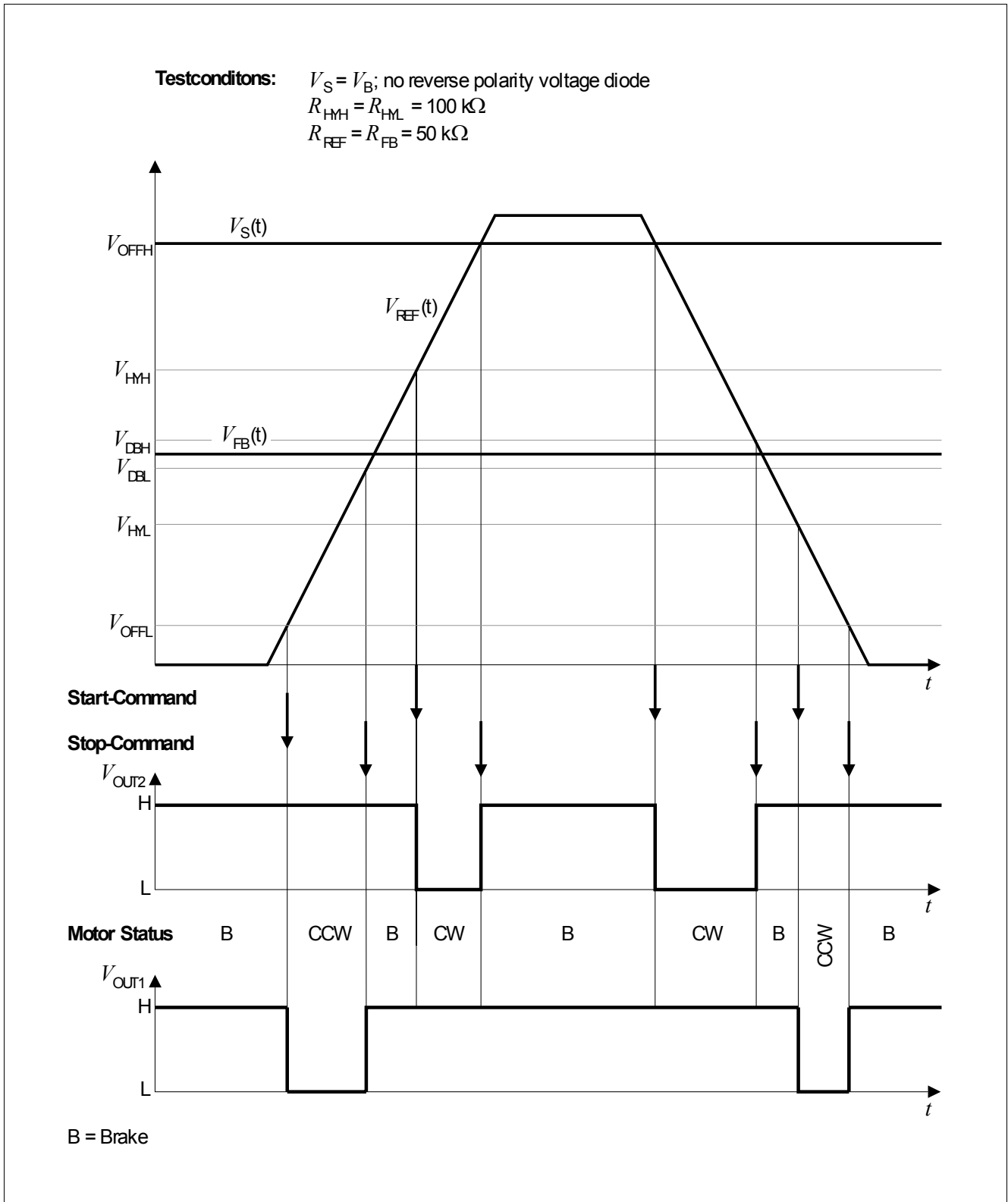
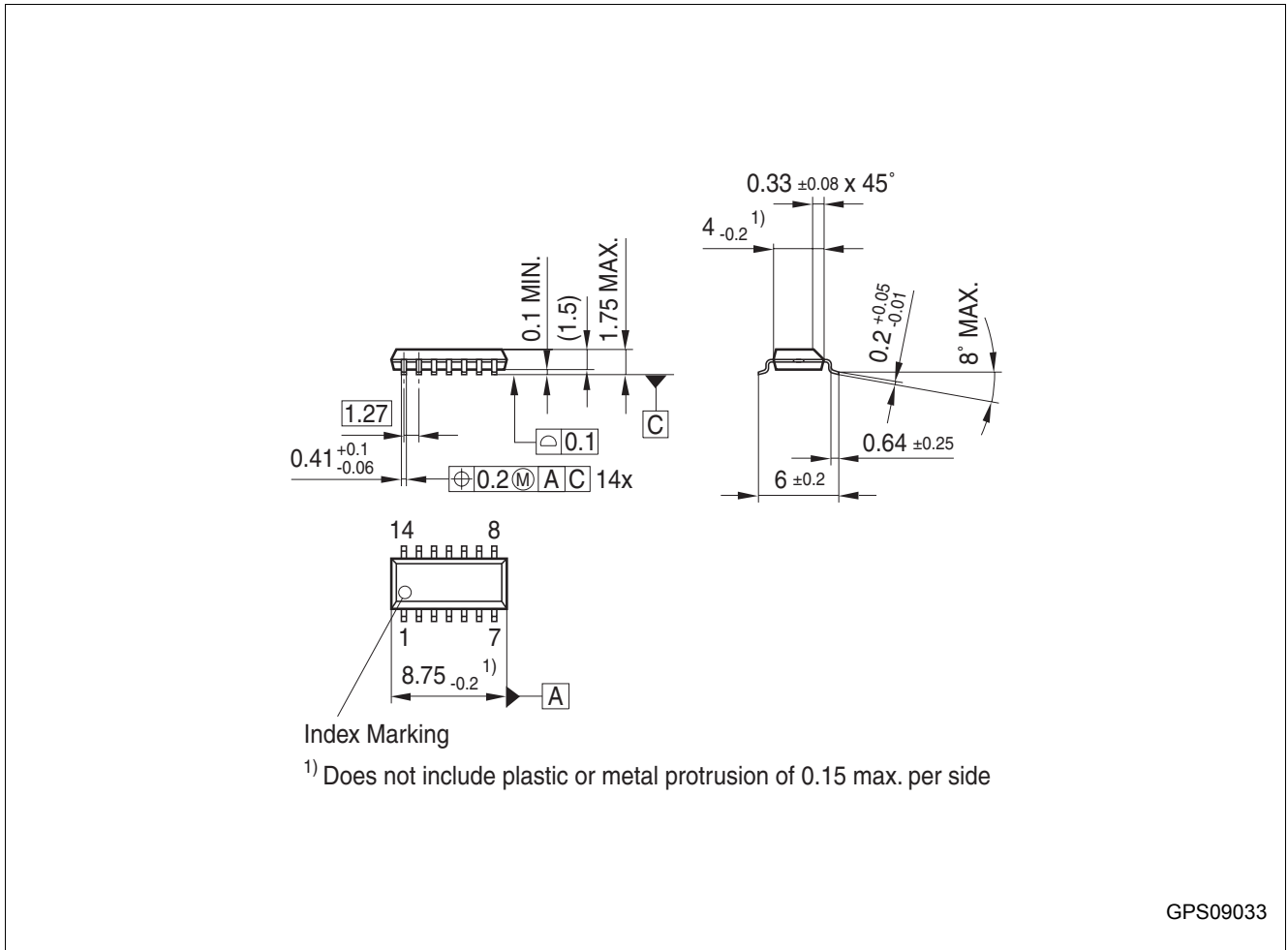


Figure 5 Timing and Phaselag

## 6 Package Outlines



**Figure 6 PG-DSO-14-22 (Plastic Green - Dual Small Outline Package)**

### Green Product (RoHS compliant)

To meet the world-wide customer requirements for environmentally friendly products and to be compliant with government regulations the device is available as a green product. Green products are RoHS-Compliant (i.e. Pb-free finish on leads and suitable for Pb-free soldering according to IPC/JEDEC J-STD-020).

## 7 Revision History

Revision	Date	Changes
1.1	2007-04-11	<p>RoHS-compliant DSO package version of the TLE 4209</p> <p>All pages: Infineon logo updated</p> <p>Page 1:            "AEC qualified" and "RoHS" logo added, "Green Product (RoHS compliant)" and "AEC qualified" statement added to feature list, package names changed to RoHS compliant versions, package pictures updated</p> <p>Page 13:            Package names changed to RoHS compliant versions, "Green Product" description added            Revision History added            Legal Disclaimer added</p>
1.2	2007-08-10	Package name changed to PG-DSO-14-22
1.3	2008-02-04	Page 1: Editorial change: deleted "fully" (The term "fully protected" often leads to misunderstandings as it is unclear with respect to which parameters).

**Edition 2008-02-04**

**Published by  
Infineon Technologies AG  
81726 Munich, Germany**

**© 2008 Infineon Technologies AG  
All Rights Reserved.**

### **Legal Disclaimer**

The information given in this document shall in no event be regarded as a guarantee of conditions or characteristics. With respect to any examples or hints given herein, any typical values stated herein and/or any information regarding the application of the device, Infineon Technologies hereby disclaims any and all warranties and liabilities of any kind, including without limitation, warranties of non-infringement of intellectual property rights of any third party.

### **Information**

For further information on technology, delivery terms and conditions and prices, please contact the nearest Infineon Technologies Office ([www.infineon.com](http://www.infineon.com)).

### **Warnings**

Due to technical requirements, components may contain dangerous substances. For information on the types in question, please contact the nearest Infineon Technologies Office.

Infineon Technologies components may be used in life-support devices or systems only with the express written approval of Infineon Technologies, if a failure of such components can reasonably be expected to cause the failure of that life-support device or system or to affect the safety or effectiveness of that device or system. Life support devices or systems are intended to be implanted in the human body or to support and/or maintain and sustain and/or protect human life. If they fail, it is reasonable to assume that the health of the user or other persons may be endangered.